

FUJIFILM
Value from Innovation

Persona RF PREMIUM

Radiographic Fluoroscopy System



Persona RF PREMIUM

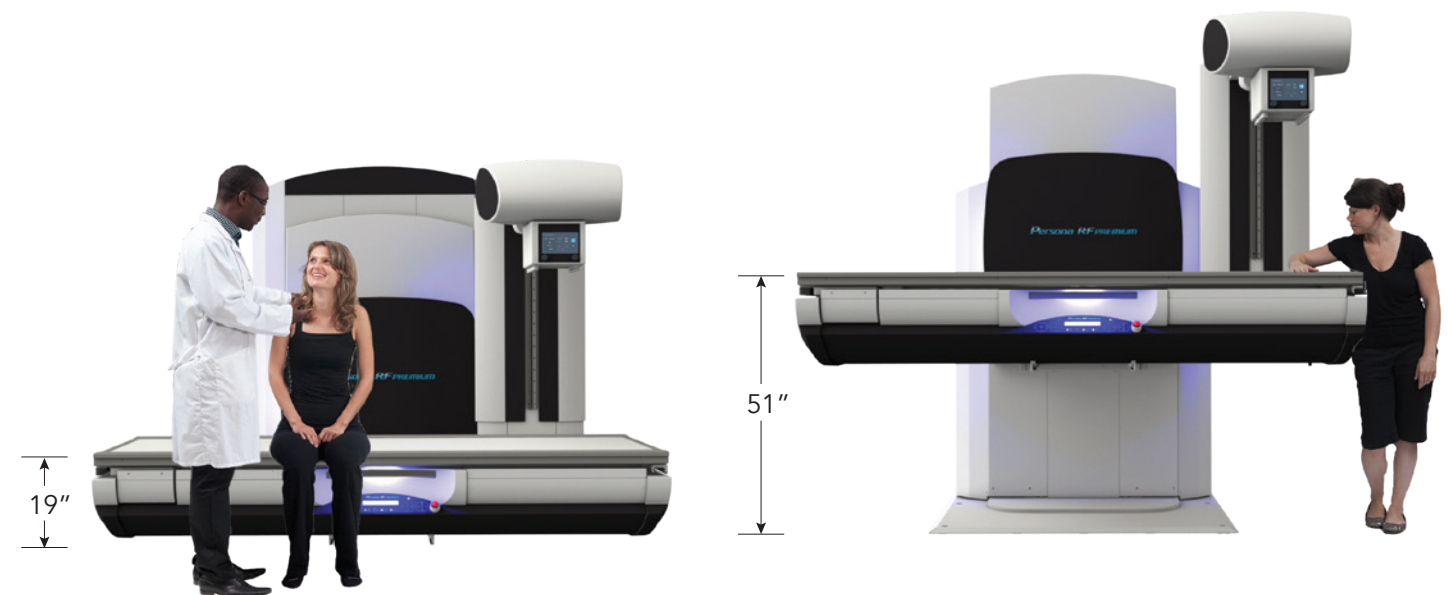
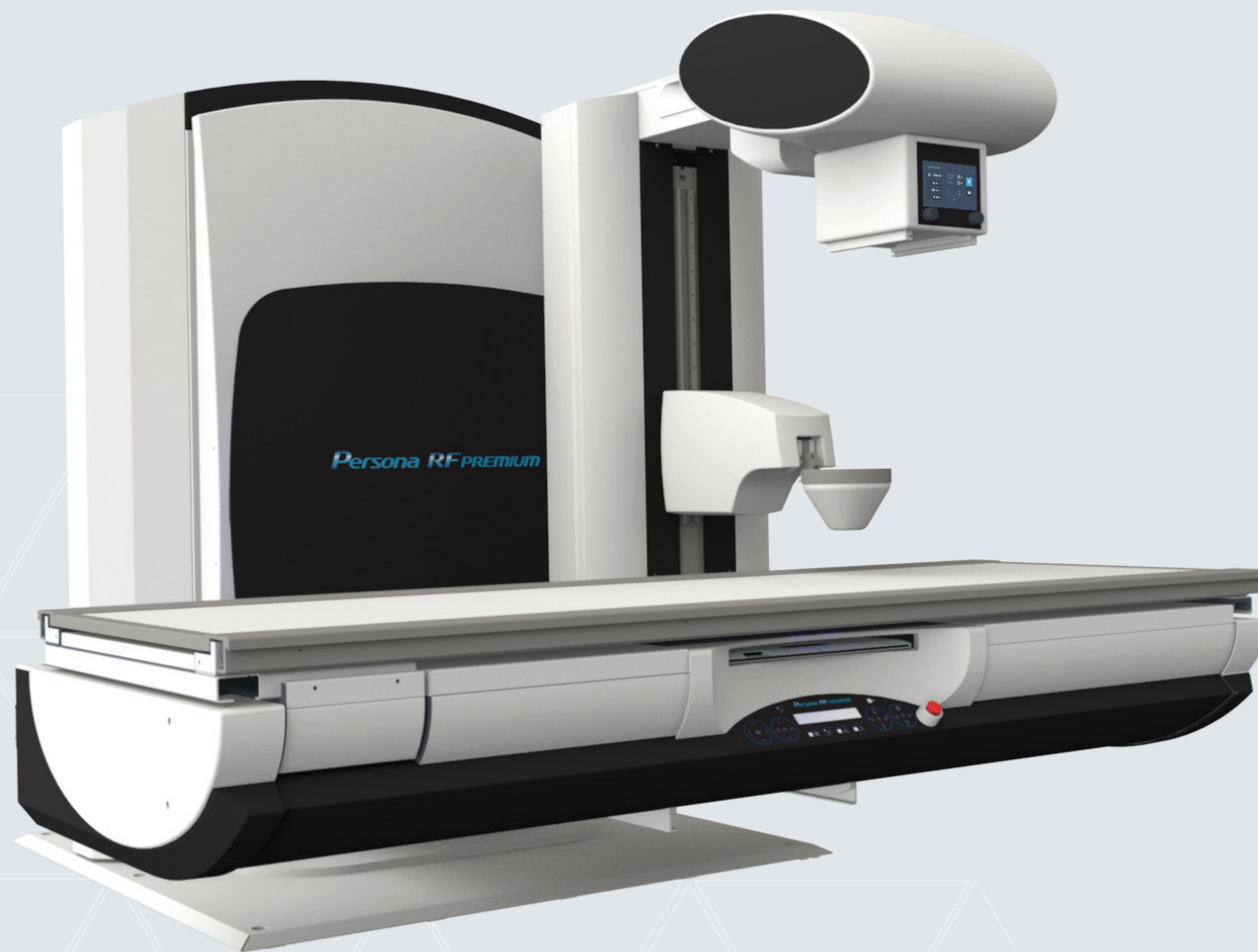
Radiographic Fluoroscopy System

Experience versatility in action

Merging next generation digital RF technology with a highly flexible system design Persona RF PREMIUM is engineered for true cross functional workflow and positioning flexibility for interventional and routine radiographic examinations.

- Single console for simplified on-demand switching between Radiographic, Fluoroscopy and Tabletop Exams
- Versatile positioning flexibility with 94" of patient coverage, 71" FFD and $\pm 90^\circ$ system tilting
- Automatic preselection of system orientation and radiographic techniques tailored to exam selected, patient type and age

Persona RF PREMIUM represents a new approach to RF imaging with a wide range of motion and ease-of-use not normally seen in radiographic fluoroscopy systems, allowing increased room utilization without compromising long-established standards for contrast, image stitching and urologic examinations.



Seamlessly secure positioning

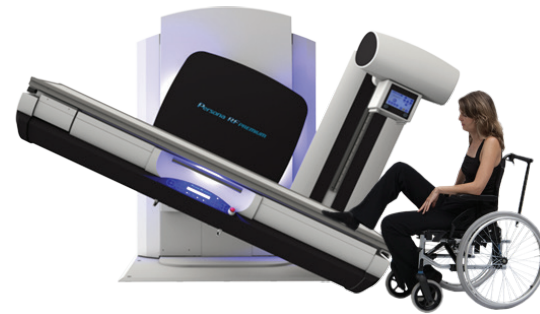
STURDY AND STABLE DESIGN

Built for durability and long term performance, supporting patient weight of 584 lbs without movement restrictions



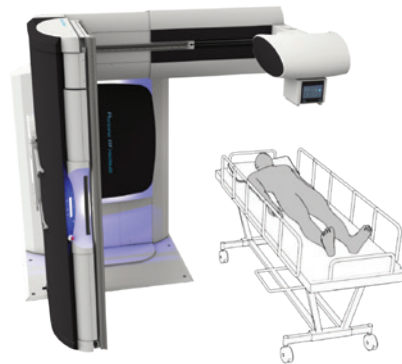
ADAPTABLE POSITIONING TECHNIQUES

Wide range of motion with 94" of longitudinal coverage to assist in imaging patients with reduced mobility



STRETCHER BASED EXAMINATIONS

Superior positioning characteristics for stretcher-based radiographic exposures without overhead tube crane*



UNOBSTRUCTED SYSTEM ACCESS

Full clinician access to the rear and sides of the system designed to facilitate patient transfer and care



NATIVE CHEST IMAGING WITH 71" SID

Unencumbered chest imaging with a full 71" SID to minimize image magnification*

* Overhead tube crane and wallstand option available for sites that prefer a traditional workflow

One room solution to match your needs

DYNAMIC FLAT PANEL DETECTOR
High resolution Thallium-doped Cesium Iodide detector with 140 μm resolution for maximum image detail

TOUCHSCREEN COLLIMATOR
Camera-equipped touchscreen collimator for enhanced positioning and ease of use

IN-ROOM IMAGE DISPLAY
Floor or ceiling-mounted 19" or 32" in room image display (options)



MOOD LIGHTING
Relaxing ambient lighting and selectable music to enhance patient comfort

IN-ROOM SYSTEM JOYSTICK
Optional in-room joystick Control Console for maximum clinician control in interventional procedures comfort



REMOTE CONSOLE CONSOLE DESIGN
Positioning interfaces located in the x-ray control area for reduced operator radiation exposure



INTUITIVE OPERATOR CONTROLS
Powerful APR integration combined with joystick table controls for maximum positioning speed and confidence



CONTINUAL PATIENT CONTACT
Microphone on the remote console to maintain uninterrupted contact with patients



Integrated video camera in the collimator for dose-free positioning adjustments

BEDSIDE AND HANDS FREE POSITIONING

Bedside keypad and RF remote controls allow each operator to find their most convenient way of piloting the table



The optional 7-way positioning footpedal allows for hands-free table navigation, particularly for interventional exams

ADVANCED IMAGING INTEGRATION

Seamless integration with optional Fujifilm FDR D-EVO II detectors for stretcher and wallstand use



Single user interface allows rapid switching between techniques and removes complications with split studies across different interfaces

Imaging excellence at your fingertips



ANATOMICAL PROGRAMMING

Advanced APR system control provides automatic technique adjustment based on the patient's date of birth and the anatomic program selected. Powerful image processing automatically corrects each image to maintain consistently high imaging standards.

SINGLE OPERATOR CONSOLE

Unified image viewing and QA workstation for continuous or pulsed fluoro, radiographic imaging and image stitching irrespective of system configuration.

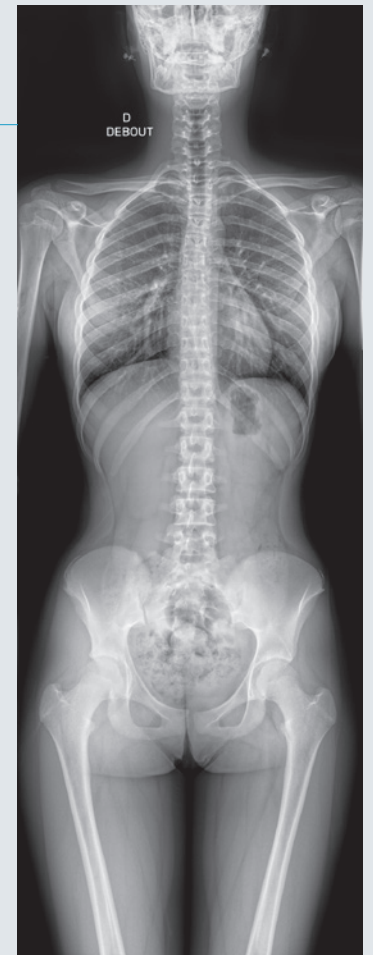
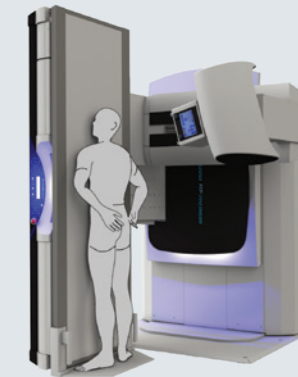
JOYSTICK SYSTEM CONTROLS

Control table, collimator and tube movement from near or far with joystick controls and deadman safety cutout.



STITCHING OPTION

Automated long length imaging option with 71" FFD for up to 4 view image stitching

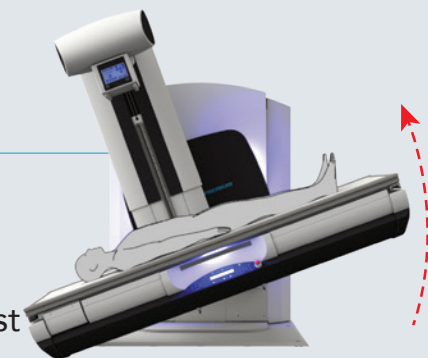


PATIENT COMPRESSION

Easy to use motorized compression device for abdominal examinations

UROLOGY OPTION

Offset center of system rotation for urology exams allows for optimum contrast media dynamics and flow



Expand the Possibilities

FDR D-EVO II



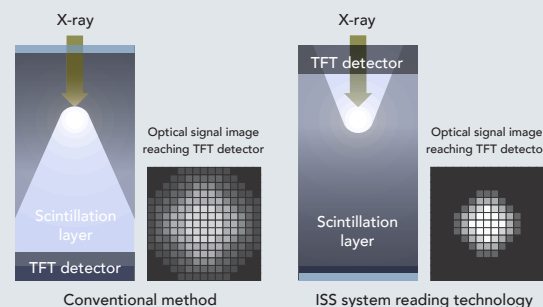
Experience seamless integration with Fujifilm FDR D-EVO II detectors for tabletop, stretcher and wall stand use. Switch instantly between fluoro and free radiographic techniques on a single user interface for uninterrupted workflow and improved image management.

DURABLE LIGHTWEIGHT DETECTORS

Innovative magnesium alloy casing provides ultra-lightweight and high durability to withstand up to 683 lbs. patient weight. Slim design with tapered edges help simplify positioning under the patient and enhance patient comfort.



Approx.
5.7 lbs.



DOSE EFFICIENCY

FDR D-EVO II detectors incorporate Fujifilm's patented ISS technology, which positions its capture circuitry at the irradiation side, in contrast to traditional detectors. This design significantly suppresses scattering and attenuation of x-ray signals, improving efficiency to produce sharper images at lower doses compared to traditional designs.

GERM AND FLUID RESISTANCE

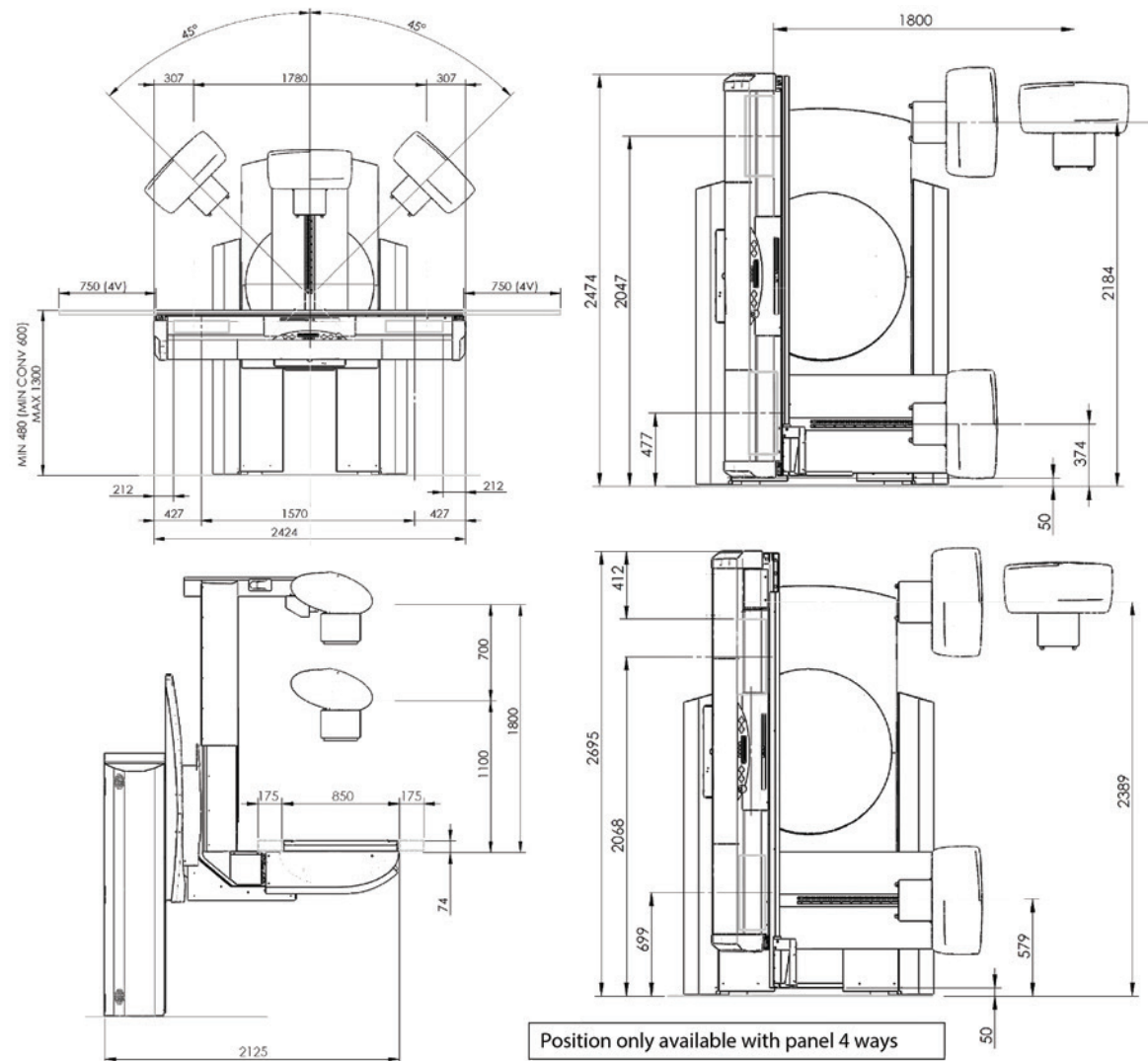
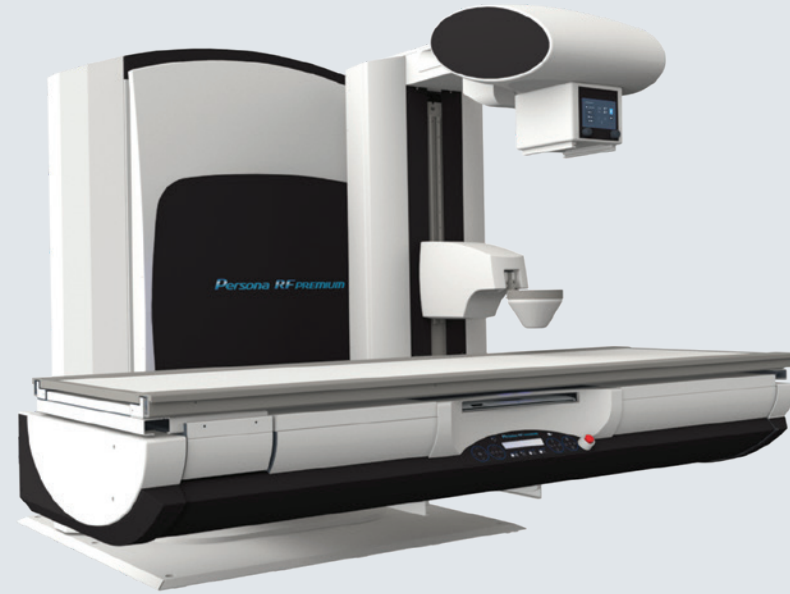
FDR D-EVO II's HydroAG antibacterial coating and IPX6 fluid protection rating act as a powerful combination; to provide an added safety measure against both panel damage and Hospital Acquired Infections (HAIs).



IPX6
rating

Persona RF PREMIUM

Persona RF PREMIUM



Radiography and Fluoroscopy Table

System Range of Motion	Tabletop height: 19-51 inches Tilting Angle: $\pm 90^\circ$ Tilt Speed: 6° /sec (10 $^\circ$ /sec max) Longitudinal coverage: 94.5 Inch Maximum patient weight: 584 lbs (with no restrictions) SID: 43-71 inches	
Table and Tube Range of Motion	Tabletop: 94.5 x 33.5 Inch Table Type: Carbon Fiber Table Speed: 10 $^\circ$ /sec max	Tube column movement: 70 inches Tube Rotation : $\pm 180^\circ$ Longitudinal speed: 4.7 inches/sec
X-ray Tube	Model: Rotating Anode Focus: 0.6 / 1.0 Anode heat capacity: 450kJ (600 kHU) DAP	Model: Rotating Anode Focus: 0.6 / 1.0 Anode heat capacity: 580kJ (800 kHU)
X-ray Generator	Power: 80kW kV Range: 40-150kV Continuous Fluoroscopy: 0.5 – 10 mA in 0.1 mA steps Pulsed Fluoroscopy: 10 – 20 mA in 0.1 mA steps Radiography Mode: 10- 1000 mA 2nd Tube Output Included	
Flat Panel Detector	Technology: Thallium doped CsI scintillator with an a-Si array Pixel pitch: 140 μ m Spatial resolution: 3.5 lp/mm Grayscale: 16bits radiography and fluoroscopy X-ray sensitive array: 17 x17 inch DQE: 79% @ 0 lp/mm, 56% @ 1 lp/mm	
Imaging Modes	Radiography Fluoroscopy Linear Tomography Image Stitching option Digital Subtraction Angiography option*	
Pulse Rate, fps	15, 7.5, 3, 1 and continuous	
Bedside System Controls	Touchscreen collimator and movement controls on tube head Tablesides membrane switches for table and system movement 3D anti-collision w. deadman and auto table keyboard lock	
In Room Monitor	19" Color display 1280 x 1024 350 cd/m ²	
Workstation	Processor: i7-8700 RAM: 32 GB SSD system: 1 x 256 GB HDD disk: 1 TB (RAID1) OS: Windows 10 Enterprise 64 bit	Color touch 23" monitor 1920x1080 (16:9 aspect ratio) 260 cd/m ²
Included Accessories	Touch screen collimator, Foot rest, Compression band, Double foot pedal, Lateral bar, Remote Controller, Hand grips, Motorized compression with cone, Ambient Light, Music Player (MP3), Collimator camera	
System Controls	Operator membrane console with 4x joystick controls Patient communication microphone APR preset of exam parameters based on patient age	
DICOM Compatibility	Dicom Modality Worklist Dicom Store Dicom Print	Dicom RDSR Structured Dose Report Dicom Storage Commitment Dicom MPPS

Accessories

In-room Monitor	All-in-One 32" Monitor and Control Console on mobile cart 32" Monitor on mobile cart 32" Monitor Fixed Ceiling Suspension 32" Monitor Mobile Ceiling Suspension on Rails 32" Monitor Mobile Ceiling Suspension on Rails with Lead Shield
System Controls	- 7 way Multifunctional Foot Pedal for table movement - In-room operator Control Console for interventional exams
Other Accessories	Gynecological Leg Support Shoulder Supports Lateral detector holder (35x43) Mattress (79x24x1) Head Support Pediatric Immobilization Device Foot Rest mounted stool DVD-R Archiving w/Viewer
Software Options	Stitching Urology
Overhead Tube Crane	Type: Manual Collimator: Manual X-ray Tube: F0.6/1.2 - 350 kHU or F0.6/1.0 - 600 kHU
Vertical Wallstand	Type: Non-Tilting Left or right side opening Vertical Travel: 55 inches Weight: 287 lbs Ion Chamber included Removable fixed grid - 12:1, 215 l/inch, F180cm Type: Tilting Left or right side opening Vertical Travel: 55 inches Weight: 287 lbs Ion Chamber included Removable fixed grids: - 12:1, 215 l/inch, F110cm - 12:1, 215 l/inch, F180cm
Flat Panel Detector Compatibility	FDR D-EVOII C43 (DR-ID1212) FDR D-EVOII G43 (DR-ID1202) FDR D-EVOII C35 (DR-ID1211) FDR D-EVOII G35 (DR-ID1201) FDR D-EVOII C24 (DR-ID1213) Docking Stand Power Box

FUJIFILM Medical Systems U.S.A., Inc.

81 Hartwell Avenue, Suite 300, Lexington, MA 02421

www.fujifilmusa.com

800.431.1850

© FUJIFILM Medical Systems U.S.A., Inc.

FUJIFILM

Value from Innovation

DOC-0048992-A

WE WILL
NEVER STOP
 INNOVATING FOR A HEALTHIER WORLD

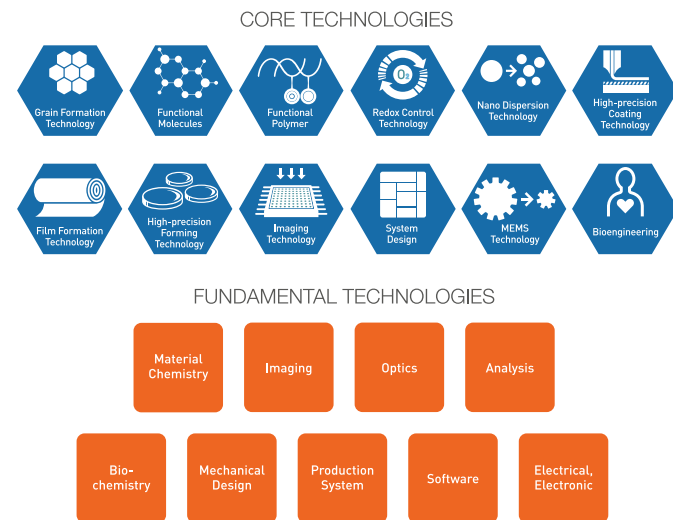
Fujifilm transformed its corporate structure for growth by expanding beyond the traditional photographic film business to six priority business fields, including healthcare – ranging from diagnostic imaging to regenerative medicine.

Our R&D innovations over the decades find us today with highly specialized expertise in increasingly relevant technologies that inform modern healthcare.

For over 80 years Fujifilm has continually invested in research and development resulting in world-class, highly versatile fundamental core technologies.

These technologies and knowledge were accumulated in the photographic film business. Today this expertise allows Fujifilm to design and innovate new products and services for diverse businesses that will shape the future for Fujifilm.

We describe this birth of new applications and technologies from Fujifilm's extraordinary background of innovation as leveraging fundamental core technologies.



All of these diagnostic and therapeutic technologies form a highly connected, holistic approach to healthcare, with the goal of helping patients along the entire care pathway, from the earliest diagnosis right through to the development of new regenerative treatments.

FUJIFILM
 Value from Innovation

Persona RF PREMIUM
 Radiographic Fluoroscopy System



* As of March 31, 2020 at an exchange rate of 109 yen to the U.S. dollar.
 ** Global Healthcare business revenue include medical devices, pharmaceuticals, contract development and manufacturing, regenerative medicine, cosmetics and supplements. Not all products and services are available in the United States.